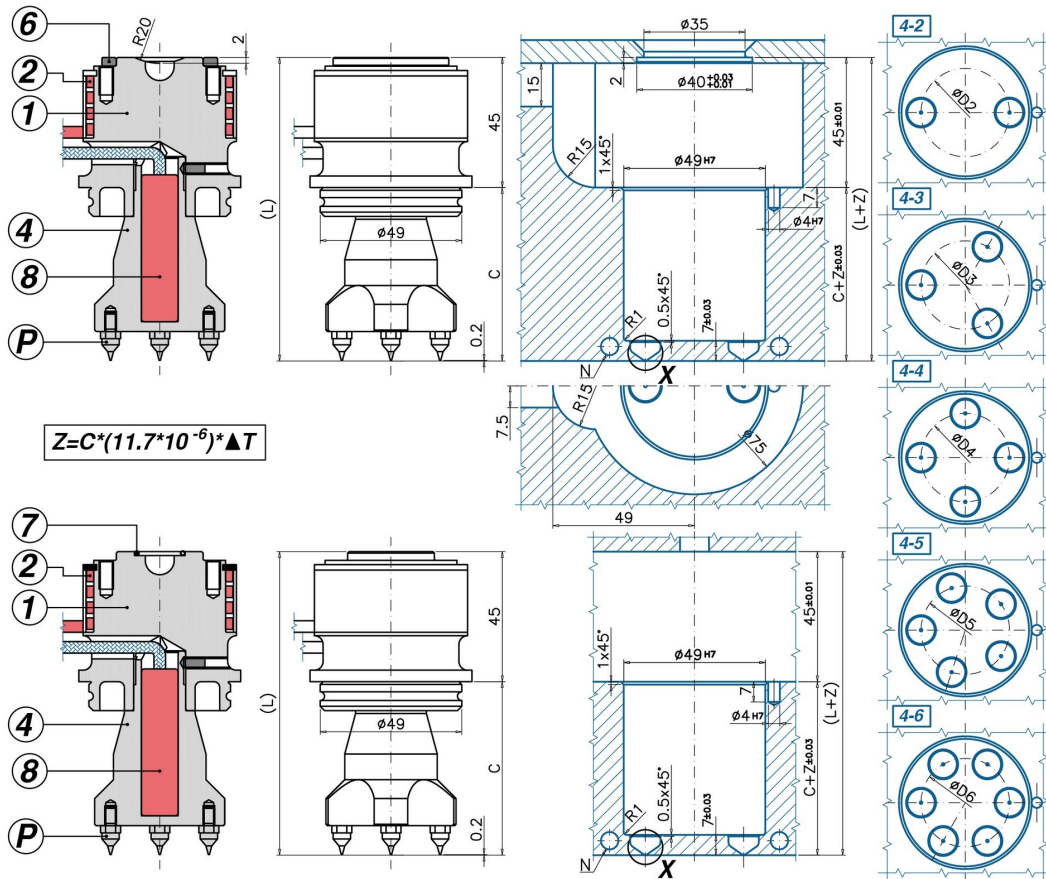


S Single Cavity Application



M MultiCavity Application

Code	C - L	1	2	4/0 - 2/3/4/5/6P	4/1 - 2/3/4/5/6P	6 - 7	8	
UGGSA5510	2/3/4/5/6 M 0/1	C=60 L=105	UGCRG55M	REPTS550	UGPMA501 2/3/4/5/6	UGPMA511 2/3/4/5/6	UGACOR14	1270051B0400X
UGGSA5510	2/3/4/5/6 S 0/1	C=60 L=105	UGCRG55S	REPTS550	UGPMA501 2/3/4/5/6	UGPMA511 2/3/4/5/6	UGAS4030	1270051B0400X
UGGSA5520	2/3/4/5/6 M 0/1	C=72 L=117	UGCRG55M	REPTS550	UGPMA502 2/3/4/5/6	UGPMA512 2/3/4/5/6	UGACOR14	1270064B0400X
UGGSA5520	2/3/4/5/6 S 0/1	C=72 L=117	UGCRG55S	REPTS550	UGPMA502 2/3/4/5/6	UGPMA512 2/3/4/5/6	UGAS4030	1270064B0400X
UGGSA5530	2/3/4/5/6 M 0/1	C=84 L=129	UGCRG55M	REPTS550	UGPMA503 2/3/4/5/6	UGPMA513 2/3/4/5/6	UGACOR14	1270076B0400X
UGGSA5530	2/3/4/5/6 S 0/1	C=84 L=129	UGCRG55S	REPTS550	UGPMA503 2/3/4/5/6	UGPMA513 2/3/4/5/6	UGAS4030	1270076B0400X
UGGSA5540	2/3/4/5/6 M 0/1	C=97 L=142	UGCRG55M	REPTS550	UGPMA504 2/3/4/5/6	UGPMA514 2/3/4/5/6	UGACOR14	1270089B0500X
UGGSA5540	2/3/4/5/6 S 0/1	C=97 L=142	UGCRG55S	REPTS550	UGPMA504 2/3/4/5/6	UGPMA514 2/3/4/5/6	UGAS4030	1270089B0500X

INJECTION VESTIGE: T4V AXIALLY RANGED, MULTI-POINT SINGLE TORPEDO NOZZLES WITH HEATED HEAD - YES: injecting more parts with one only nozzle - YES: more than one gate vestige on the same part - YES: SINGLE AND MULTI-CAVITY applications - YES: abrasive reinforcements (choose the 4/0 tip) - NO: abrasive charge (choose GSA 25) - NO: colour change

- 1 = Nozzle body
- (M=MultiCavity / S=Single Cavity)
- 2 = Coil heater with J-type thermocouple
- 4/0 = Tempered steel torpedo + No. 2/3/4/5/6 UGPUGSA5-0 abrasive charges tips
- 4/1 = Tempered steel torpedo + No. 2/3/4/5/6 UGPUGSA5-1 Cu-Be tips
- 6 = Centering Ring
- 7 = O-Ring
- 8 = Cartridge heater with J type TC
- S = Anti-rotation dowel pin

Ød= Standard : 0,6 ÷ 1,0
ØD= 30,0 - on request 25-35

